

hmi

high-accuracy
measurement
instruments

FICHA TÉCNICA DE PRODUTO

PRODUCT DATASHEET

HMI – Automação e Instrumentação, Lda.

Travessa da Indústria, nº 111
4780-573 Santo Tirso
PORTUGAL

Tel. +351 252 850 501
Fax. +351 300 013 487

Web: www.hmi.pt

Email: hmi@hmi.pt

ABB MEASUREMENT & ANALYTICS | DATA SHEET

AW400

Residual chlorine monitor



Measurement made easy

For the measurement of free and total residual chlorine, chlorine dioxide or ozone in water

Total and free residual chlorine measurement

- add potassium iodide to reagent to convert free chlorine measurement to total chlorine

Reagentless operation

- reduced operating costs with reagentless operation at a pH of 7.5 or less

Multiple sensor input capability

- reduced installation costs for multiple point monitoring operations

Self-cleaning sensor assembly

- prolongs sensor life and maintains accuracy

Fast response time

- instant response to changes of residual chlorine, unlike batch / DPD methods

Pressure-regulated sample flow

- no additional plumbing required to ensure optimum sample delivery rate and pressure

Introduction

Residual chlorine is one of the most important measurements for the effective monitoring of cooling, potable and industrial water treatment processes. ABB's new AW400 residual chlorine monitoring system incorporates the features our customers need to monitor and control residual chlorine levels accurately and affordably. The design enables users to either connect up to three residual chlorine monitoring sensors to the system or to combine pH, ORP and residual chlorine sensors; thus reducing the cost of each measurement considerably.

Low cost of purchase is only part of the answer to providing value to our customers; low cost of ownership is also required. For the majority of waters with pH lower than 7.5, ABB's residual chlorine monitors can measure free chlorine, chlorine dioxide and ozone without the need for expensive reagents and the manpower needed to maintain those reagents. For residual total chlorine, reagents of Acetic Acid and Potassium Iodide are added with a simple-to-maintain peristaltic pump. This keeps costs low and provides up to 60 days un-supervised operation. The AW400 employs a unique 'Vortex Cleaning' system to clean the electrodes. Unlike many sensors on the market that require problematic electric motors to mix the reagents and sample, as well as keep the electrodes clean, the AW400's Vortex Cleaning System induces a spiral flow of fine corundum sand through the cell to scour the electrodes, thus eliminating the need for electric motors. The AW400 is an easy-to-use device; process connections are simple and the user menus are easy to follow for fast setup.

The AW400 is compatible with ABB's 17XX pH and ORP sensors and can be equipped with PID control for feed-forward dosing applications.

When it comes to meeting our customer's demands for accurate, affordable residual chlorine measurement, ABB's AW400 exceeds expectations.



Measurement principle

The sensor is an amperometric cell comprising two concentric electrodes; an inner, spiral, gold measuring electrode and an outer copper cylinder – the 'counter-electrode'. Sample water flows into the electrode chamber through nozzles located in the measuring cell. The cell also contains a small amount of a special corundum sand that is circulated by the water and acts as an abrasive on the electrodes, keeping them at peak sensitivity. The AW400 measuring cell is polarized because of the normal potential of these two different metal electrodes in water. When oxidizing substances such as chlorine, chlorine dioxide, ozone or their derivatives are present in the sample between the electrodes, the measuring (gold) electrode is depolarized and the counter electrode (copper electrode) dissolves as Cu^{++} . This electron flow generates a signal (current), that is proportional to the oxidizing agent concentration in the sample. The signal is compensated for temperature variations via software in the AW400 transmitter through a PT100 thermistor.

Applications

Here are just a few of the common residual chlorine level monitoring applications for which the AW400 is ideally suited:

- drinking water
- cooling water for power stations and industrial facilities
- fruit and vegetable disinfection baths
- tertiary treated waste water
- swimming pools and spas

The choice is yours, you choose the disinfectant... we'll measure it! Regardless of the disinfectant used at your site, Chlorine, Chlorine Dioxide, Bromine or Ozone, the ABB AW400 is ready for use; simply select the disinfectant from the user-menu on the monitor.

Non-recommended applications

Meat and poultry 'red water' disinfection baths, saltwater waste waters with high oil / fat contents and processes with fibrous sediment that could plug the water flow through the system are all applications where the use of the AW400 is not recommended.

Specification

Measurement range

Chlorine, Chlorine Dioxide, Ozone
0 to 20 ppm (mg/l)

Measurement mode

Measurement technology
Amperometric cell
Measurement interval
Continuous

Measurement performance

Accuracy

- Unbuffered: 2 % or ± 0.01 10 ppb, whichever is the greater at pH <7.5
- Buffered: 2 % or ± 10 ppb, whichever is the greater at <pH 10

Sensitivity

0.001 ppm

Minimum detection limit

0.005 ppm

Drift

- Zero drift: ± 1 % over 30 days max.
- Span drift: -5 % over 30 days max.

Response time

90 % in less than 90 seconds

Interferences

Samples containing high concentrations of metal ions or other strong oxidants may affect analyzer operation

Environmental data

Ambient operating temperature

-10 to 50 °C (14 to 122 °F)

Ambient operating humidity

80 % RH at 31 °C (88 °F), with linear decrease down to 50 % RH at 40 °C (104 °F)

Sample temperature

Compensated between 2 and 50 °C (36 and 122 °F).

Sample inlet pressure

- 0.2 to 4.0 bar (3 to 60 psi).
- For pressures over 4 bar (60 psi) install a pressure reducing valve. Recommended operating pressure is 2 bar (30 psi)

Sample outlet pressure

Pressureless

Sample flow

Continuous, 60 to 75 l/hr

Sample pH value

4 to 7.5 (buffer feed assembly available for pH greater than 7.5). No correction is needed when measuring chlorine dioxide and ozone.

Maintenance

Maintenance interval

Recommended annual replacement of O-rings and electrodes

Calibration

- Single- or two-point manual calibration
- Comparison of lab method with process sample or de-chlorinated

Cell construction material

Electrodes

Gold / Copper

Electrode chamber

Plexiglas

Differential pressure regulator

PVC

Mechanical data

Ingress protection

Transmitter	IP65
Measurement cell	IP64

Sample connections

Inlet / Outlet:	$\frac{3}{8}$ in. OD polyethylene or flexible PVC tubing
-----------------	--

Electrical

Mains voltage	115 V AC, ± 10 %, 50/60 Hz 230 V AC, ± 10 %, 50/60 Hz
Maximum consumption	20 VA

Certifications

CE

Installation guidelines

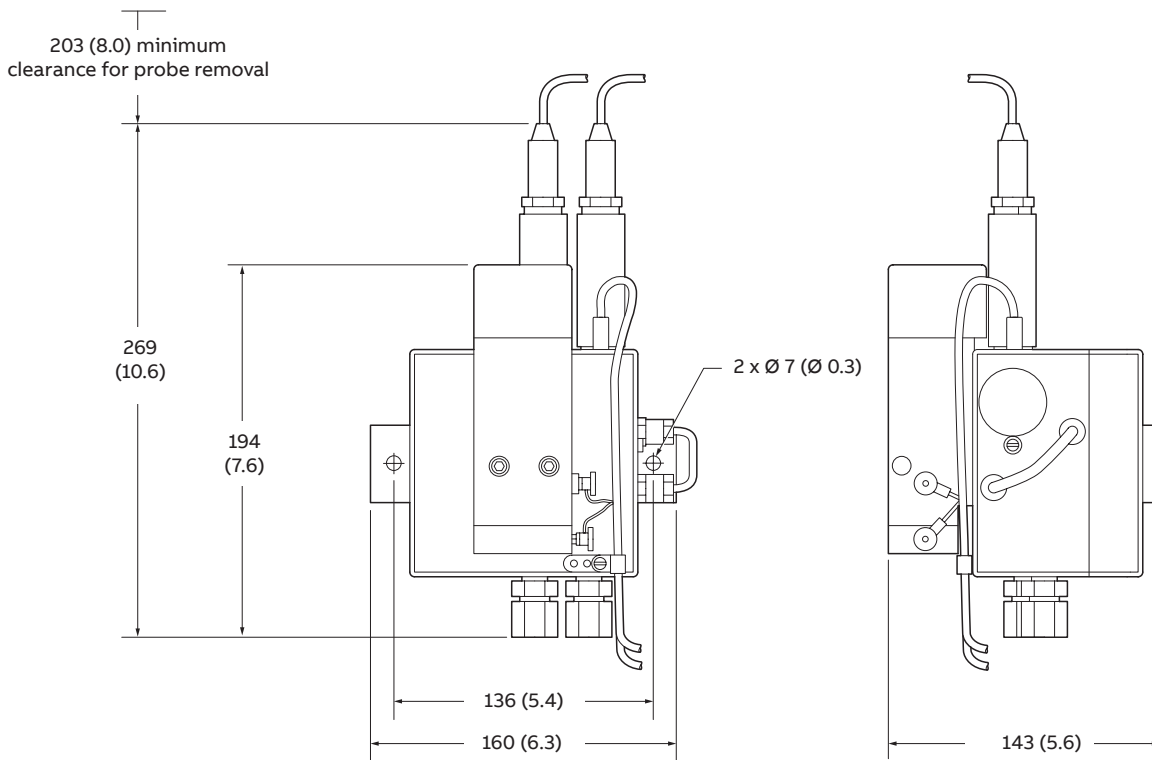
The AW400 performs best when installed following these simple guidelines:

- Do not allow the cell to be exposed to direct sunlight.
- Use a sampling point that is significant for the process control.
- Allow sufficient access for maintenance operations.
- Install in an area that is completely free of vibration.
- Install in an area that is as far as possible from rotating or electrical commutation devices.
- Ensure air bubbles in the sample are kept to a minimum. Frequent and large air bubbles make the reading unstable.
- Ensure calibration is performed on the complete system i.e. the monitor and measuring cell(s).
- Use polyethylene or PVC tubing for delivery of the water sample.
- Do not shorten the soft overflow tube and ensure it can drain freely without back pressure.

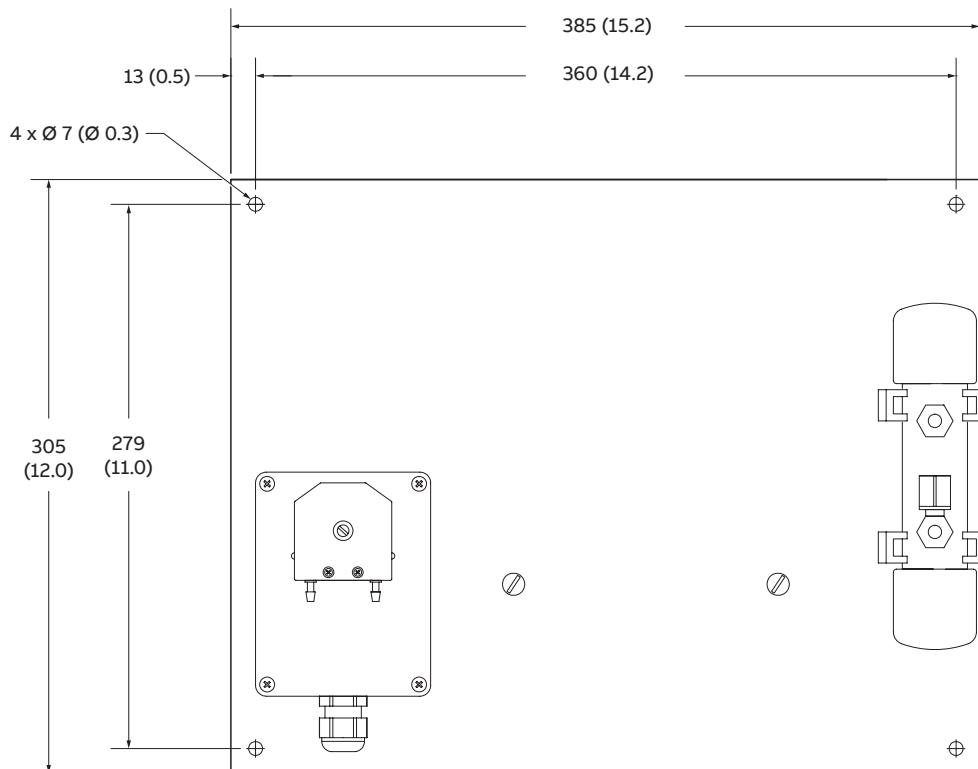
Note. It is advisable that sample drains into a non-metallic pipe due to the corrosive nature of chlorinated, ozonated and bromated waters.

Dimensions

Dimensions in mm (in.)

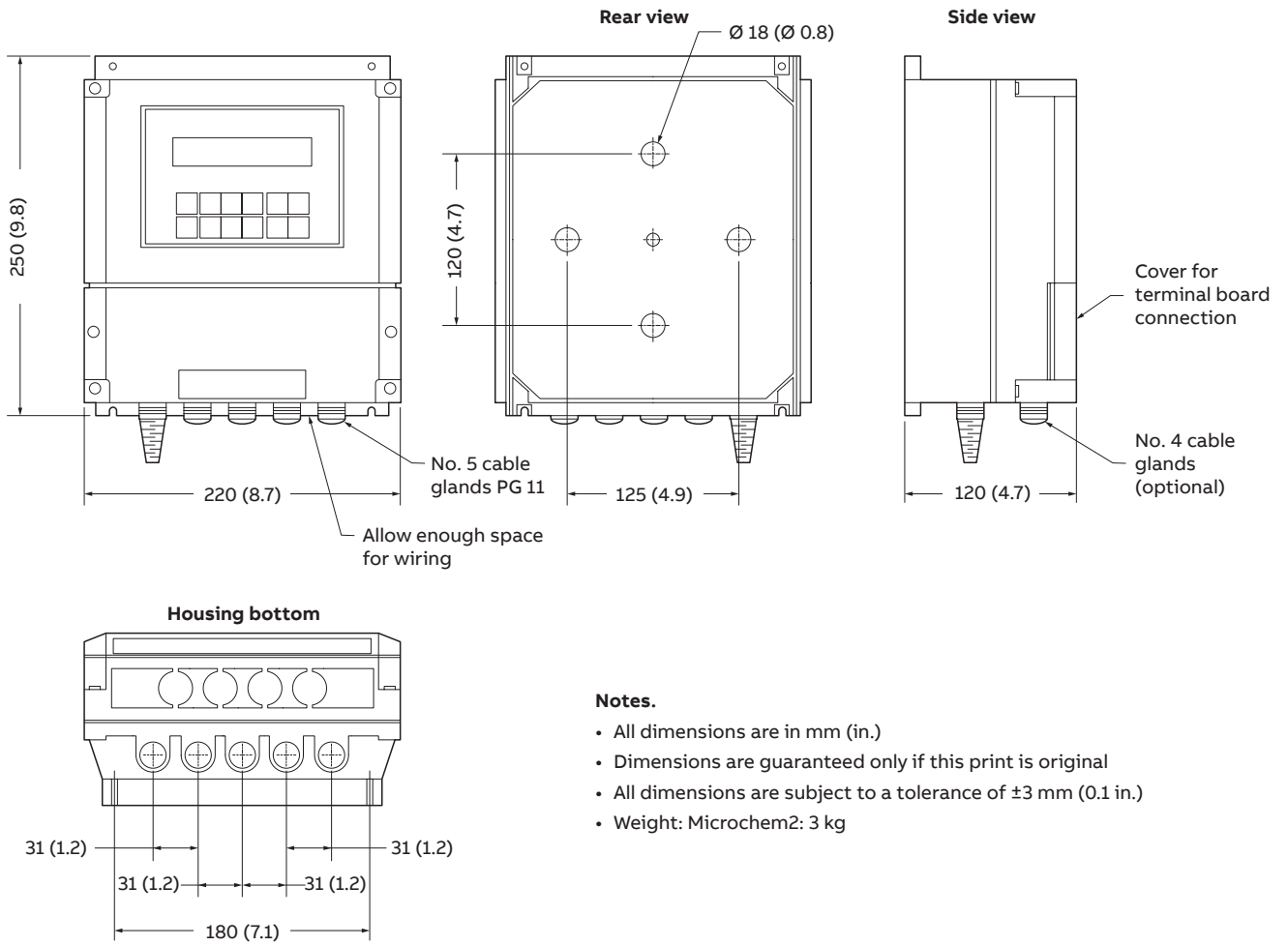


Mounting dimensions – AW400 cell



Mounting dimensions – reagent feed pump

...Dimensions



Notes.

- All dimensions are in mm (in.)
- Dimensions are guaranteed only if this print is original
- All dimensions are subject to a tolerance of ± 3 mm (0.1 in.)
- Weight: Microchem2: 3 kg

Mounting dimensions – transmitter

Ordering information

Residual chlorine monitor	AW4	XX/	X	X	X	X
Transmitter type						
Transmitter		01				
Transmitter with PID control (channel 1 only)		02				
Sensor type channel 1						
Chlorine cell			1			
Sensor type channel 2						
No second input channel					0	
Chlorine cell					1	
pH					6	
ORP					7	
Additional 4 to 20 mA input / output (retransmission or flow input)					8	
Sensor type channel 3						
No third input channel						0
Chlorine cell						1
pH						6
ORP						7
Transmitter voltage						
115 V AC 50/60 Hz						1
230 V AC 50/60 Hz						2

Accessories

Residual chlorine reagent feeder assemblies*

Reagent feeder assembly (free chlorine 115 V AC)	AW401 011
Reagent feeder assembly (free chlorine 230 V AC)	AW401 012
Reagent feeder assembly (total chlorine 115 V AC)	AW401 013
Reagent feeder assembly (total chlorine 230 V AC)	AW401 014

*Supplied complete with tubing and reagent bottles

Benefits summary

- **Total and free residual chlorine measurement**
 - add potassium iodide to reagent to convert free chlorine measurement to total chlorine
- **Reagentless operation**
 - reduced operating costs with reagentless operation at a pH of 7.5 or less
- **Multiple sensor input capability**
 - reduced installation costs for multiple point monitoring operations
- **Self-cleaning sensor assembly**
 - prolongs sensor life and maintains accuracy
- **Fast response time**
 - instant response to changes of residual chlorine, unlike batch/DPD methods
- **Pressure regulated sample flow**
 - no additional plumbing required to ensure optimum sample delivery rate and pressure
- **PID control available**
 - no costly separate controllers needed
- **Field-changeable configuration**
 - easily reconfigured in the field from a single input device to a two or three input device
- **Minimal sample consumption**
 - less than 1 liter (0.22 galls) per minute flow rate required for accurate operation
- **Automatic temperature compensation**
 - ensures accuracy and repeatability

Sales



Service



ABB Limited**Measurement & Analytics**

Oldends Lane, Stonehouse
Gloucestershire, GL10 3TA
UK

Tel: +44 (0)1453 826 661

Fax: +44 (0)1453 829 671

ABB Inc.**Measurement & Analytics**

125 E. County Line Road
Warminster, PA 18974

USA

Tel: +1 215 674 6000

Fax: +1 215 674 7183











abb.com/measurement

We reserve the right to make technical changes or modify the contents of this document without prior notice. With regard to purchase orders, the agreed particulars shall prevail. ABB does not accept any responsibility whatsoever for potential errors or possible lack of information in this document.

We reserve all rights in this document and in the subject matter and illustrations contained therein. Any reproduction, disclosure to third parties or utilization of its contents – in whole or in parts – is forbidden without prior written consent of ABB.



Our offering:

	Actuators and Positioners		Analytical Instruments
	Device Management, Fieldbus and Wireless		Flow Measurement
	Force Measurement		Level Measurement
	Natural Gas Measurement		Pressure Measurement
	Recorders and Controllers		Temperature Measurement

HMI – Automação e Instrumentação, Lda.

Travessa da Indústria, nº 111
4780-573 Santo Tirso
PORTUGAL

Tel. +351 252 850 501
Fax. +351 300 013 487

Web: www.hmi.pt

Email: hmi@hmi.pt